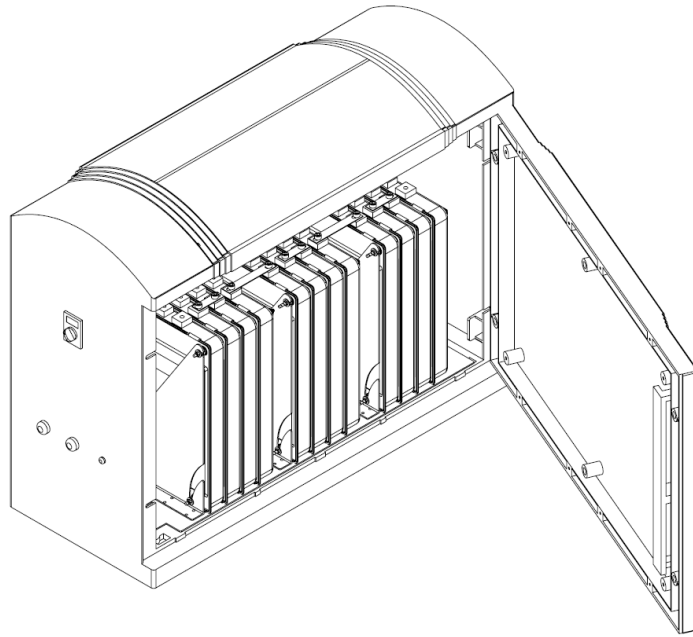




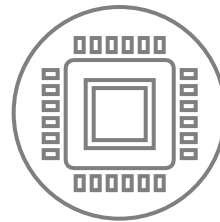
BeeBattery

home



THE POWER OF THE VEHICLE IN YOUR HOME

Electric vehicle batteries are the best in terms of reliability and performance



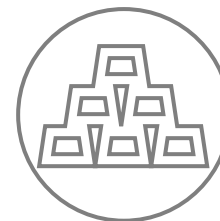
MAXIMUM PERFORMANCE AND CONNECTIVITY

Battery control technology adapted to second-life batteries and always connected



SUSTAINABILITY AND CIRCULAR ECONOMY

NISSAN® second-life batteries allow you to revalue a residue and extend its lifespan



SAFE, ROBUST AND MODULAR

Protected external system, maintenance-free and expandable up to 12kWh

BATTERY	Battery type	EV Second Life
	Chemistry	LMO
	Number of modules	12 modules
	Nominal capacity (Wh)	4000 Wh
	Nominal capacity (Ah)	45 Ah
	Maximum charge and discharge power	4000 W
	Nominal voltage	90 V
	Operating voltage	72 V - 100 V
	Maximum current	50 A
	Depth of Discharge (DoD)	90%
Estimated equivalent cycles (90% DoD, 25oC)	> 2000 cycles	

GENERAL SPECIFICATIONS	Working temperature	5°C -40°C
	Operating humidity	5% - 90% relative humidity
	Weight	60 kg
	Dimensions (Height x Width x Depth)	500 x 750 x 300 mm
	Enclosure	GRP Polyester cabinet reinforced with fiberglass
	IP Rating	IP 43
	IK Rating	IK 10
	Modularity	Yes
	Optimum location	Indoor and ground-level
	Envelope with self-extinguishing material	Yes (960°C)
	Natural ventilation	Yes
	Resistance to chemical and corrosive environments	Yes
	Double insulation	Yes
	Communications	BUSCAN, Bluetooth, Wifi
Protections	Overcharge, overdischarge, overcurrent,overheating	
Warranty*	2 years	

CERTIFICATIONS AND CE MARKING	Enclosure	IEC 62208 UNE-EN 62262 UNE 20672
	Battery	IEC 62619
	EMC Electromagnetic Compatibility (2014/30/EU)	UNE-EN 61000-2/4
	Electrical Safety Low Voltage Directive (2014/35/EU)	UNE-EN 61439-1

*Warranty protection subjected to operating conditions specified in the user manuals and installation guide included in BeeHome® battery pack